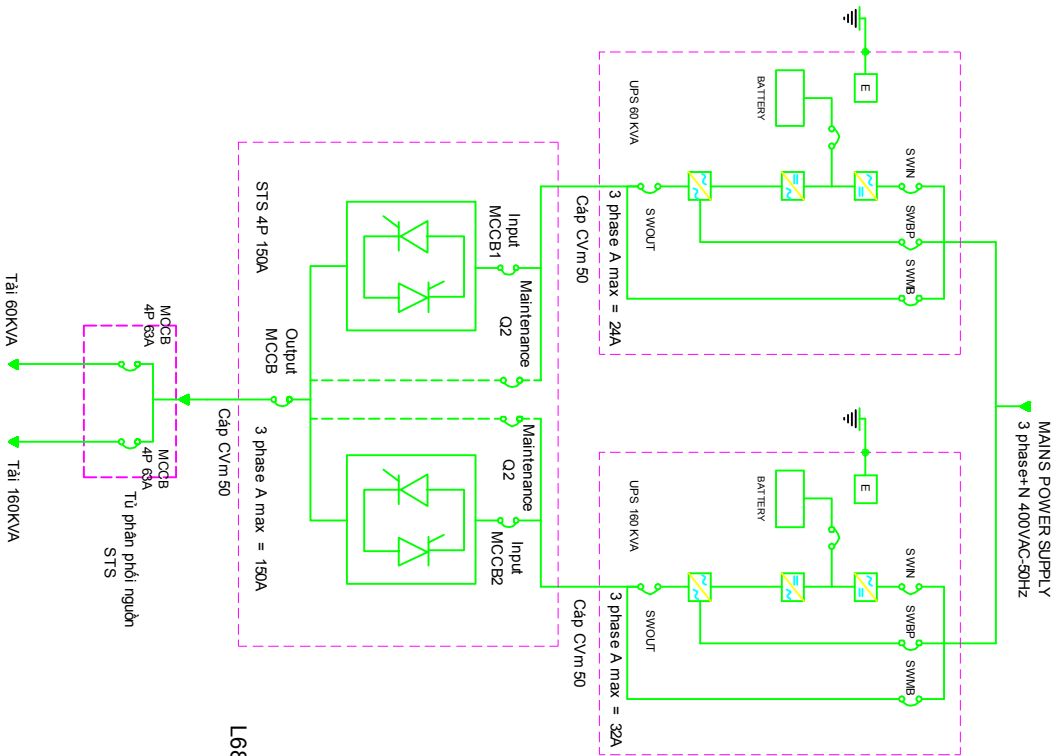


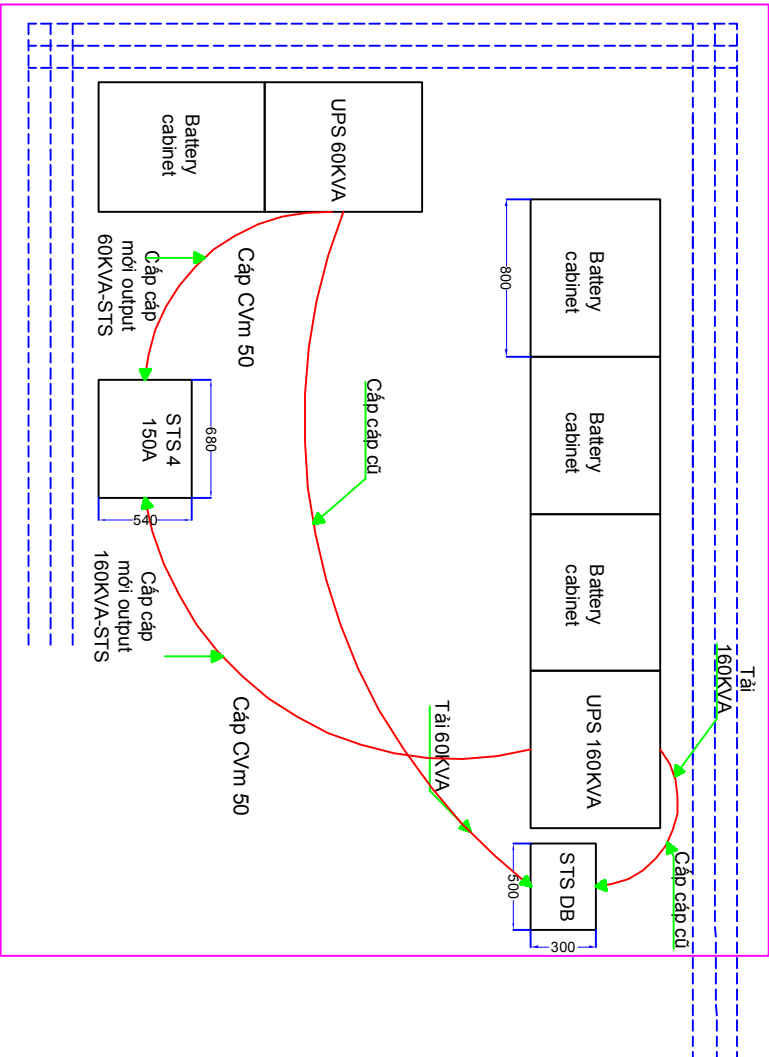
# SƠ ĐỒ ĐƠN TUYẾN STS 4P 150A



STS 4P150A  
L680XD540XH1500

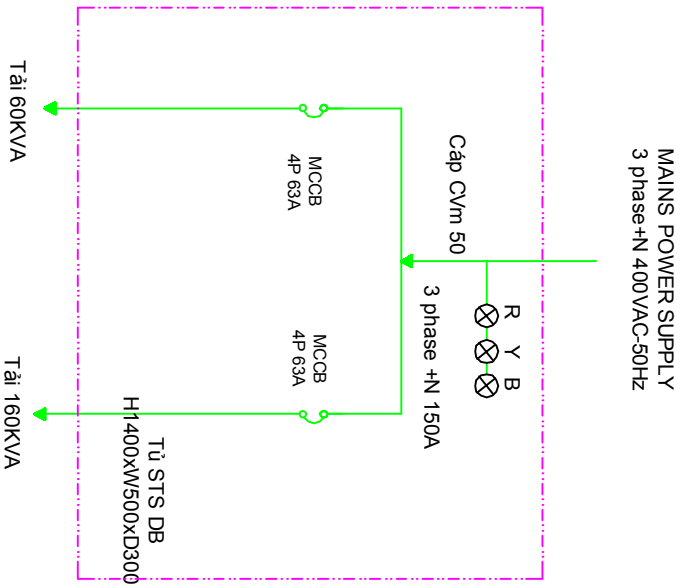
Rev	Remark	Day	01-06-2018
1			
Vo Hoa An Name			
Supplier : Dian Electric-Electronics			
PROJECT: STS 150A TITLE: Single Diagram			
DWG File			
Ref. Number: 02042013/60K			
Sheet No: 01			
Scale 1:1			

# SƠ ĐỒ VỊ TRÍ PHÒNG UPS & STS



Rev	Remark	Day	01-06-2018
1			
Vo Hoa/An Name			
Supplier : Dian Electric-Electronics			
PROJECT: STS 150A		DWG File	
TITLE: Single Diagram		Ref. Number: 02042013/60K	
		Sheet No: 01	
		Scale 1:1	

# SƠ ĐỒ ĐƠN TUYẾN STS 4P 150A DB



Rev	Remark	Day	01-06-2018					
1								
2								
3								
4								
5								
6								
7								
8								

Vo Hoa An  
Name

Supplier : Dian Electric-Electronics

PROJECT: STS 150A  
TITLE: Single Diagram

DWG File  
Ref. Number: 02042013/60K

Sheet No: 01  
Scale 1:1